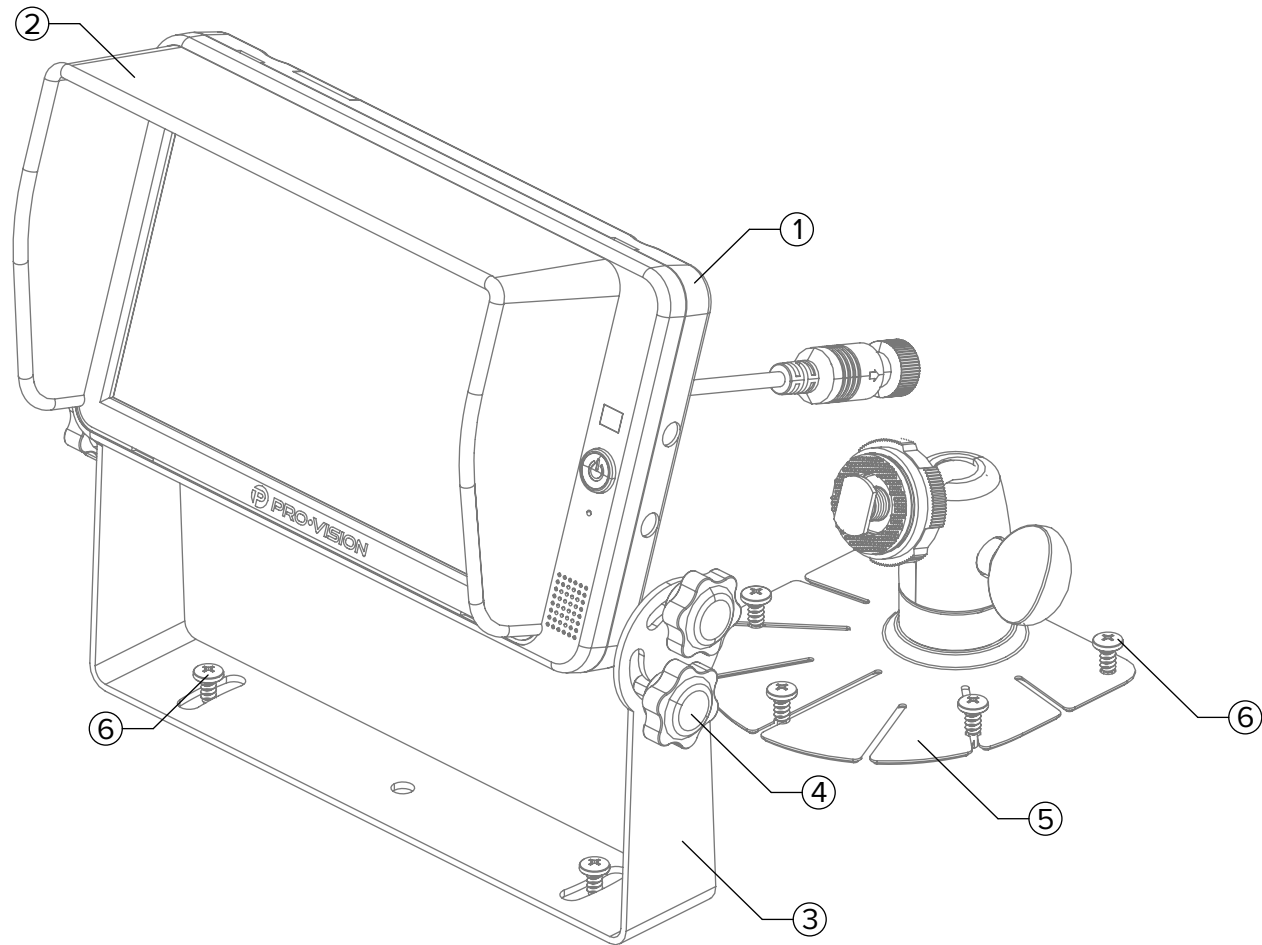


REV	NOTES	DATE
A	RELEASED	MAR 27, 2023



BILL OF MATERIALS

ITEM	PART NUMBER	PART DESCRIPTION	QTY:	TOTAL WEIGHT	NA
1	8020044	Birdseye 360 HD 7" Monitor PCABS - Black	1	NA	
2	NA	Birdseye 360 HD 7" Monitor - Glare Shield PCABS - Black	1	NA	
3	8090095	7" Monitor U-Bracket Steel - Painted Black	1	NA	
4	8090205	U-Bracket Mounting Knobs M5 x 0.8 mm, 8 mm long Thumb Screw	4	NA	
5	8090087	Monitor Fan Bracket Steel - Painted Black	1	NA	
6	8090141	No. 8 x 0.5" Long Self-Drilling Pan Head Screw 18-8 Stainless Steel	5	NA	

DRAWING SCALE: 1:2

REV LEVEL: A MAR 27, 2023

DRAWING NUMBER:
9000569-C-ASSEMBLY DRAWING



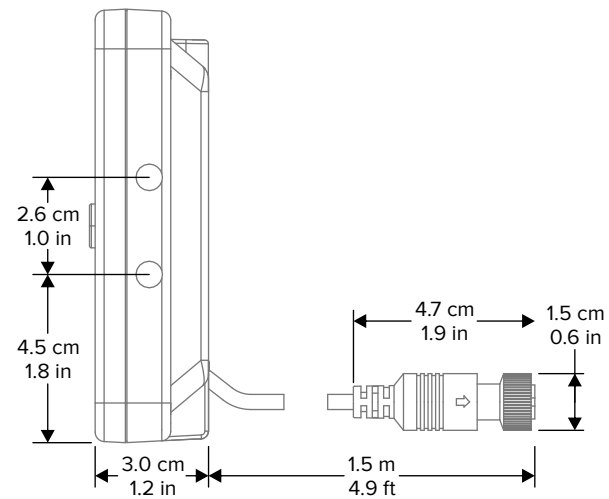
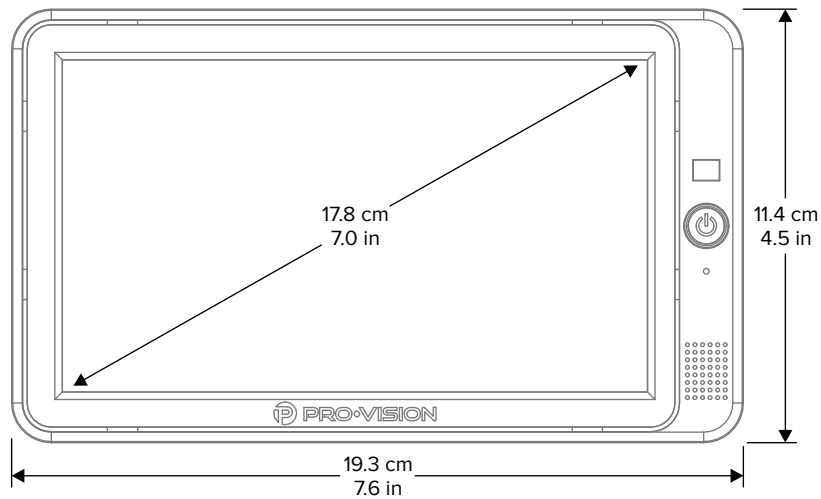
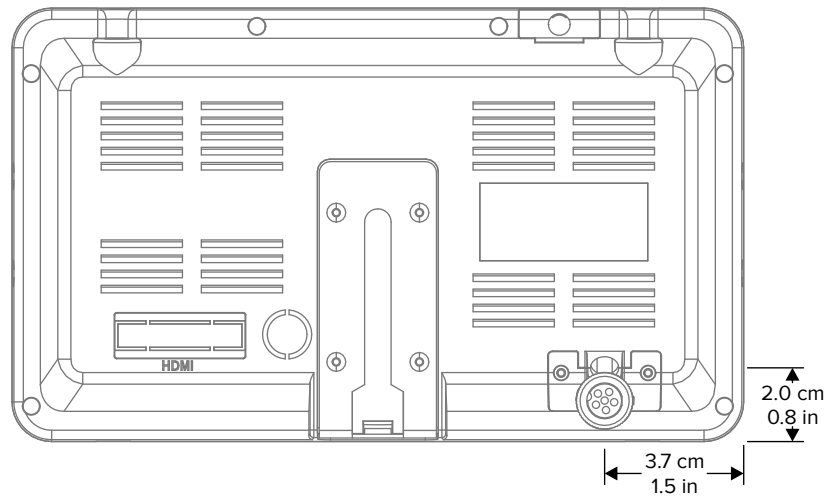
GENERAL TOLERANCES UNLESS OTHERWISE SPECIFIED

X	X.X	X.XX	ANGLES	X	X.X	X.XX
± 0.2 in	± 0.04 in	± 0.004 in	± 2°	± 5 mm	± 1.0 mm	± 0.1 mm

PROPRIETARY AND CONFIDENTIAL
 THE INFORMATION CONTAINED IN THIS DRAWING IS THE SOLE PROPERTY OF
 PRO-VISION INC. ANY REPRODUCTION IN PART OR AS A WHOLE
 WITHOUT THE WRITTEN PERMISSION OF PRO-VISION INC. IS PROHIBITED.

PART NUMBER: 9000569	Birdseye 360 7" HD Monitor Assembly	Sheet: 1 of 5
-------------------------	-------------------------------------	---------------

REV	NOTES	DATE
A	RELEASED	MAR 27, 2023



BILL OF MATERIALS

ITEM	PART NUMBER	PART DESCRIPTION	QTY:	TOTAL WEIGHT	NA
1	8020044	Birdseye 360 HD 7" Monitor PCABS - Black	1	NA	
2	NA	Birdseye 360 HD 7" Monitor - Glare Shield PCABS - Black	1	NA	
3	8090095	7" Monitor U-Bracket Steel - Painted Black	1	NA	
4	8090205	U-Bracket Mounting Knobs M5 x 0.8 mm, 8 mm long Thumb Screw	4	NA	
5	8090087	Monitor Fan Bracket Steel - Painted Black	1	NA	
6	8090141	No. 8 x 0.5" Long Self-Drilling Pan Head Screw 18-8 Stainless Steel	5	NA	

DRAWING SCALE: 1:2

REV LEVEL: A MAR 27, 2023

DRAWING NUMBER:
9000569-C-ASSEMBLY DRAWING



GENERAL TOLERANCES UNLESS OTHERWISE SPECIFIED

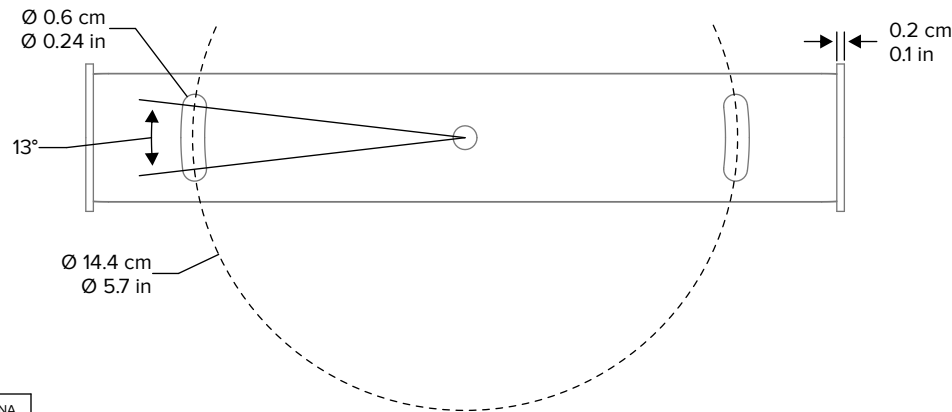
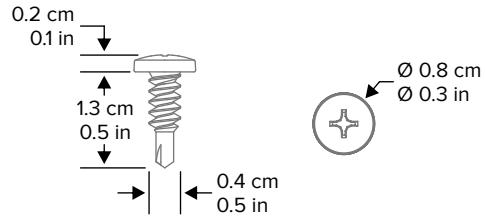
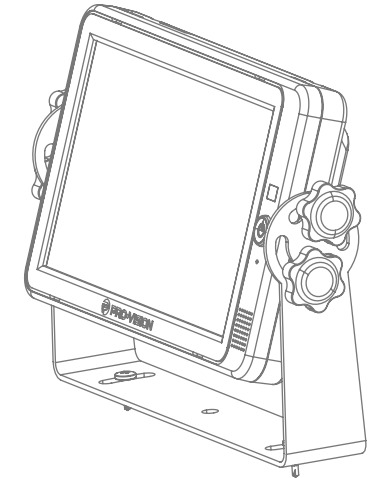
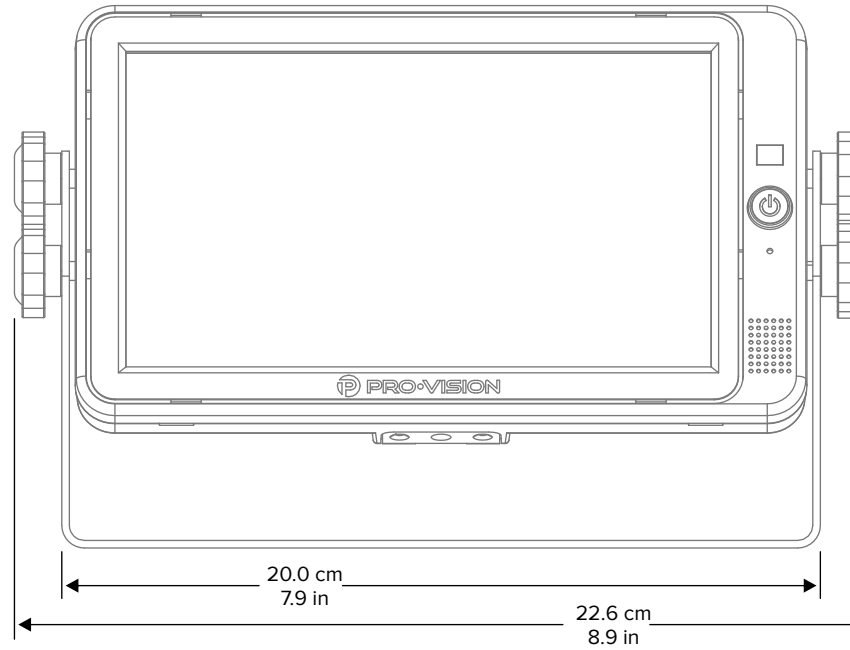
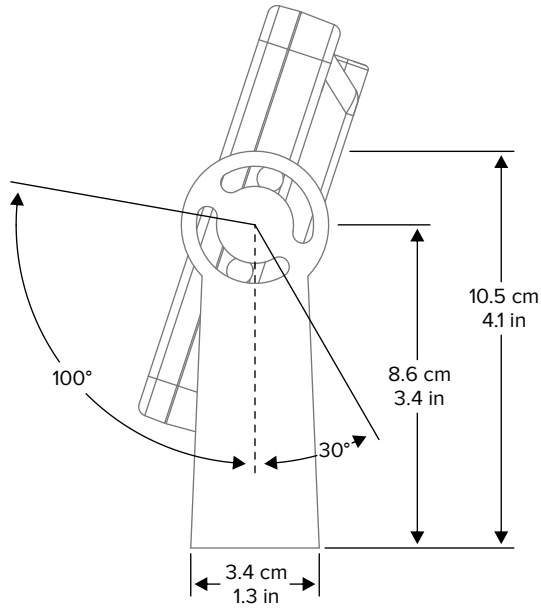
X	XX	X.XX	ANGLES	X	XX	X.XX
± 0.2 in	± 0.04 in	± 0.004 in	± 2°	± 5 mm	± 1.0 mm	± 0.1 mm

PROPRIETARY AND CONFIDENTIAL

THE INFORMATION CONTAINED IN THIS DRAWING IS THE SOLE PROPERTY OF PRO-VISION INC. ANY REPRODUCTION IN PART OR AS A WHOLE WITHOUT THE WRITTEN PERMISSION OF PRO-VISION INC. IS PROHIBITED.

PART NUMBER: 8020044	Birdseye 360 7" HD Monitor	Sheet: 2 of 5
-------------------------	----------------------------	---------------

REV	NOTES	DATE
A	RELEASED	MAR 27, 2023



BILL OF MATERIALS

ITEM	PART NUMBER	PART DESCRIPTION	QTY:	TOTAL WEIGHT	NA
1	8020044	Birdseye 360 HD 7" Monitor PCABS - Black	1	NA	
2	NA	Birdseye 360 HD 7" Monitor - Glare Shield PCABS - Black	1	NA	
3	8090095	7" Monitor U-Bracket Steel - Painted Black	1	NA	
4	8090205	U-Bracket Mounting Knobs M5 x 0.8 mm, 8 mm long Thumb Screw	4	NA	
5	8090087	Monitor Fan Bracket Steel - Painted Black	1	NA	
6	8090141	No. 8 x 0.5" Long Self-Drilling Pan Head Screw 18-8 Stainless Steel	5	NA	

DRAWING SCALE: 1:2

REV LEVEL: A MAR 27, 2023

DRAWING NUMBER:
9000569-C-ASSEMBLY DRAWING

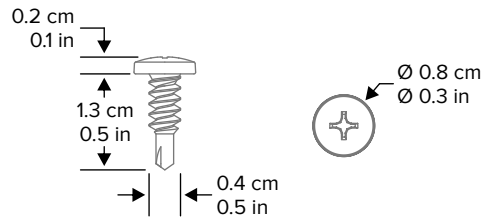
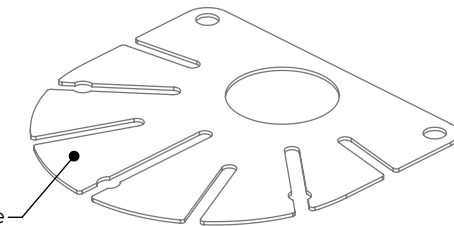
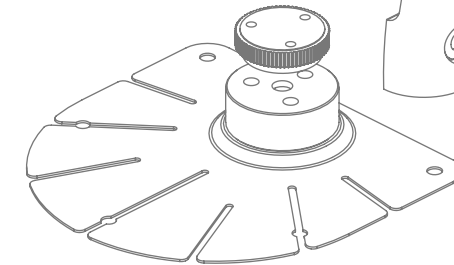
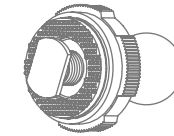
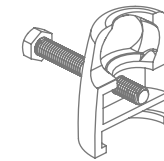
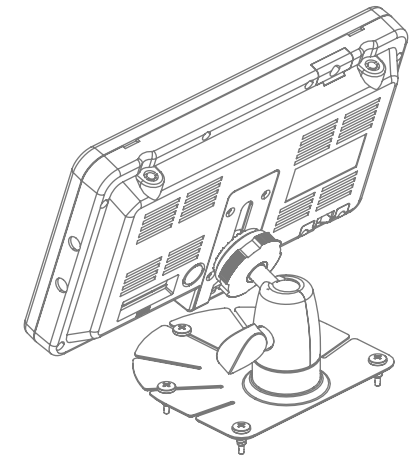
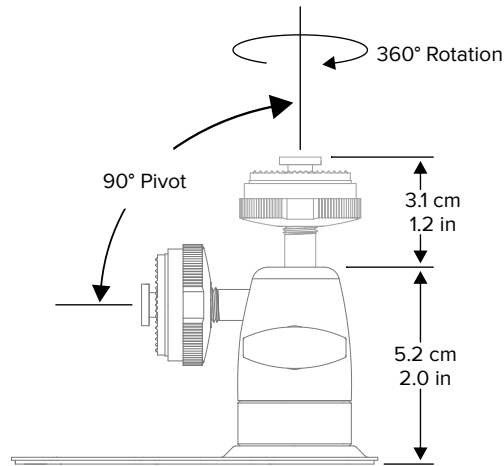
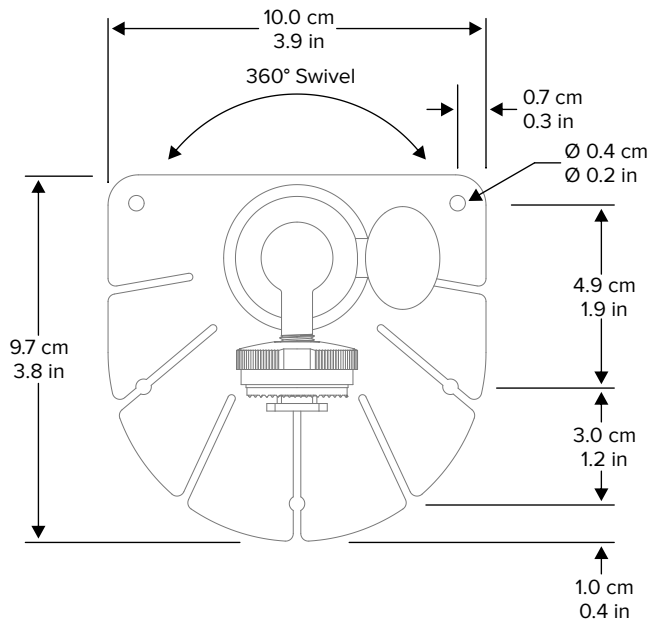


GENERAL TOLERANCES UNLESS OTHERWISE SPECIFIED						
X	X.X	X.XX	ANGLES	X	X.X	X.XX
± 0.2 in	± 0.04 in	± 0.004 in	± 2°	± 5 mm	± 1.0 mm	± 0.1 mm

PROPRIETARY AND CONFIDENTIAL
THE INFORMATION CONTAINED IN THIS DRAWING IS THE SOLE PROPERTY OF
PRO-VISION INC. ANY REPRODUCTION IN PART OR AS A WHOLE
WITHOUT THE WRITTEN PERMISSION OF PRO-VISION INC. IS PROHIBITED.

PART NUMBER: 8090095	7" Monitor U-Bracket	Sheet: 3 of 5
-------------------------	----------------------	---------------

REV	NOTES	DATE
A	RELEASED	MAR 27, 2023



BILL OF MATERIALS

ITEM	PART NUMBER	PART DESCRIPTION	QTY:	TOTAL WEIGHT PER ITEM	NA
1	8020044	Birdseye 360 HD 7" Monitor PCABS - Black	1	NA	
2	NA	Birdseye 360 HD 7" Monitor - Glare Shield PCABS - Black	1	NA	
3	8090095	7" Monitor U-Bracket Steel - Painted Black	1	NA	
4	8090205	U-Bracket Mounting Knobs M5 x 0.8 mm, 8 mm long Thumb Screw	4	NA	
5	8090087	Monitor Fan Bracket Steel - Painted Black	1	NA	
6	8090141	No. 8 x 0.5" Long Self-Drilling Pan Head Screw 18-8 Stainless Steel	5	NA	

DRAWING SCALE: 1:2

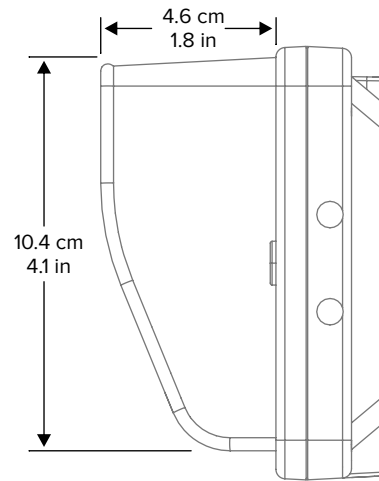
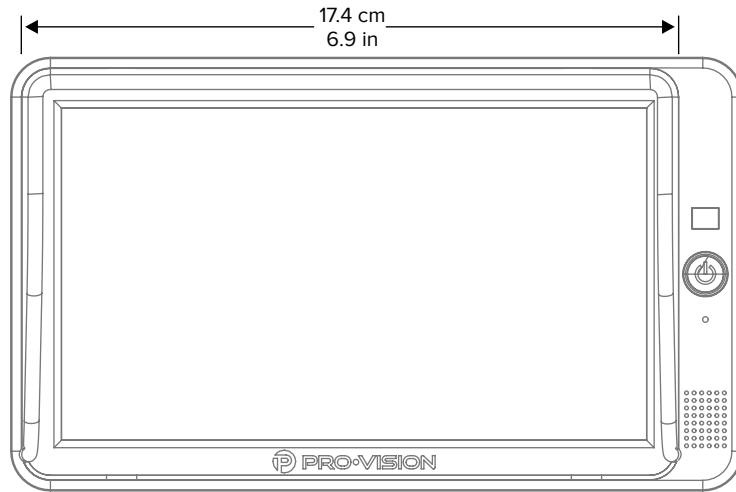
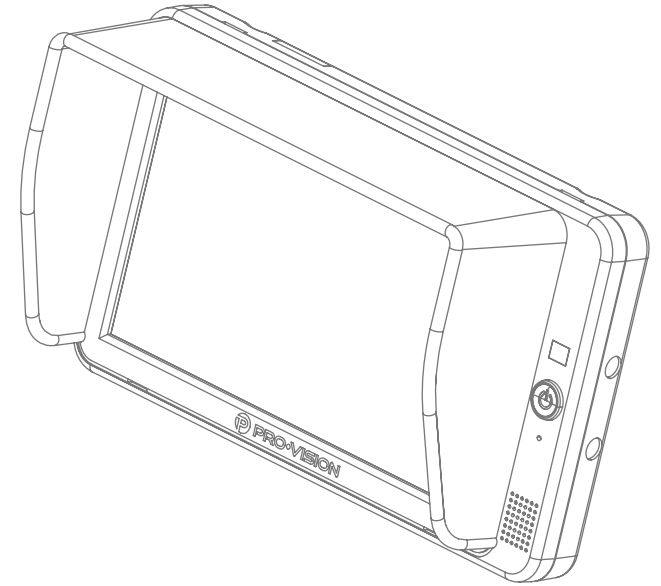
REV LEVEL: A MAR 27, 2023

DRAWING NUMBER:
9000569-C-ASSEMBLY DRAWING



GENERAL TOLERANCES UNLESS OTHERWISE SPECIFIED						
X	XX	X.XX	ANGLES	X	X.X	X.XX
± 0.2 in	± 0.04 in	± 0.004 in	± 2°	± 5 mm	± 1.0 mm	± 0.1 mm
PROPRIETARY AND CONFIDENTIAL						
THE INFORMATION CONTAINED IN THIS DRAWING IS THE SOLE PROPERTY OF PRO-VISION INC. ANY REPRODUCTION IN PART OR AS A WHOLE WITHOUT THE WRITTEN PERMISSION OF PRO-VISION INC. IS PROHIBITED.						
PART NUMBER: 8090087		Monitor Fan Bracket		Sheet: 4 of 5		

REV	NOTES	DATE
A	RELEASED	MAR 27, 2023



BILL OF MATERIALS

ITEM	PART NUMBER	PART DESCRIPTION	QTY:	TOTAL WEIGHT	NA
				WEIGHT PER ITEM	
1	8020044	Birdseye 360 HD 7" Monitor PCABS - Black	1	NA	
2	NA	Birdseye 360 HD 7" Monitor - Glare Shield PCABS - Black	1	NA	
3	8090095	7" Monitor U-Bracket Steel - Painted Black	1	NA	
4	8090205	U-Bracket Mounting Knobs M5 x 0.8 mm, 8 mm long Thumb Screw	4	NA	
5	8090087	Monitor Fan Bracket Steel - Painted Black	1	NA	
6	8090141	No. 8 x 0.5" Long Self-Drilling Pan Head Screw 18-8 Stainless Steel	5	NA	

DRAWING SCALE: 1:2

REV LEVEL: A MAR 27, 2023

DRAWING NUMBER:
9000569-C-ASSEMBLY DRAWING



GENERAL TOLERANCES UNLESS OTHERWISE SPECIFIED						
X	XX	X.XX	ANGLES	X	XX	XX
± 0.2 in	± 0.04 in	± 0.004 in	± 2°	± 5 mm	± 1.0 mm	± 0.1 mm
PROPRIETARY AND CONFIDENTIAL						
THE INFORMATION CONTAINED IN THIS DRAWING IS THE SOLE PROPERTY OF PRO-VISION INC. ANY REPRODUCTION IN PART OR AS A WHOLE WITHOUT THE WRITTEN PERMISSION OF PRO-VISION INC. IS PROHIBITED.						
PART NUMBER: NA		Birdseye 360 HD 7" Monitor - Glare Shield			Sheet: 5 of 5	